

Datasheet

Power Supply of the device class FPS, 19"/2U

Attention

The unit must not be operated with the cover removed to avoid the possibility of lethal shock to the operator!

There are no user maintainable parts inside the power supply!

Unit may only be operated with protective ground conductor connected.

We decline all responsibility for damages and injuries caused by an improper use of the device. It is strongly recommended to read the manual before operation!

All information in this document are subject to change without notice. We take no responsibility for any error in this document. We reserve the right to make changes in the product design without any notification to the users.

Warning! ... notes in the text call attention to hazards in operation of these units that could lead to possible injury or death.



Caution! ... notes in the text indicate procedures to be followed to avoid possible damage to equipment

Technical data

Table 0-1: Technical data

Device Class FPS, 19"/2U			
Output voltage V_{nom} [V]		12	30
Output current I_{nom} [A]		50	20
Output power P_{nom} [W]		500	600
Efficiency		> 90% (P_{nom} , $V_{in} = 230$ V)	
Ripple and noise		Current control: $\Delta i < 1\% * I_{nom}$ (at P_{nom})	
Stability current		$\Delta i < 0.1\% * I_{nom}$ (ΔV_{in} and $0 < V_{out} \leq V_{nom}$)	
Accuracy		Voltage: $< 1\% * V_{nom}$	for one year
		Current: $< 1\% * I_{nom}$	for one year
Temperature coefficient		$< 1 * 10^{-4} / K$	
Potential difference between output voltage and protective ground		± 10 kV	
Control	AIO	Analogue signals	Level 0 V – 10 V
		Digital signals	Low level 0 V – 4 V High level 8 V – 24 V
	USB	Via USB interface	
	CAN	Optional, via CAN interface	
Supply		$V_{in} = 85$ V - 264 V – AC $I_{in} < 3$ A (P_{nom} , $V_{in} = 230$ V) Line frequency 47 Hz $< f < 63$ Hz Internally fused with 10 A slow	
Cooling		Forced cooling with integrated fan (≤ 36 m ³ /h)	
Monitoring		Temperature	
Working conditions		Temperature: 0°C to 50°C	
		Humidity: 20% to 90%, no condensation	
Storage conditions		Temperature: 0°C to 50°C	
		Humidity: 20% to 90%, no condensation	
HV connector	Output	Three conductor high voltage cable	
	Input	LEMO PSA.3S.CTA.C62	
Dimensions		2U –19" compatible / depth: 350 mm	
Weight [kg]		ca. 6	
Electromagnetic compatibility	Emission	EN 55011 (curve B)	
	Immunity	EN 61000 4-2, EN 61000 4-3, EN 61000 4-4, EN 61000 4-8	
Safety standard		EN 61010-1 (VDE 0411)	

Electrical wiring of the high voltage part

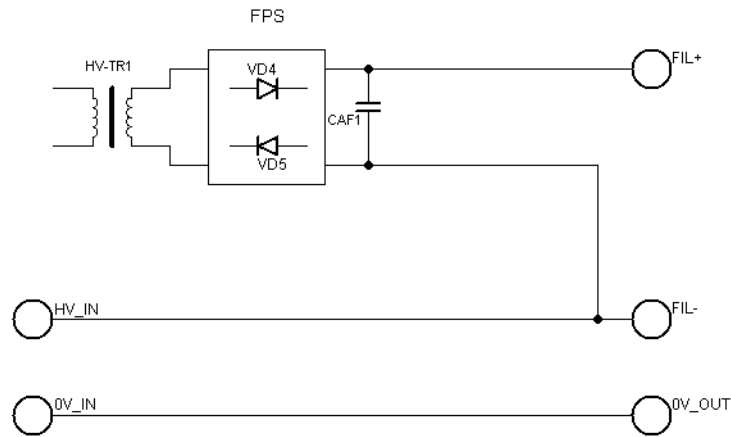


Figure 1: Electrical wiring of the high voltage part